



NetLight™ SWITCH

OVERVIEW

Lumenergi NetLight™ Switch controls Digital Addressable Lighting Interface (DALI) compatible fluorescent dimming ballasts. Designed for individual or group control of classrooms, private offices, conference rooms, or other occupant controlled spaces in small or large scale building control applications.

Decorative style and logical functionality combined in a single device with a rocker switch, slide dimmer, and four-color scene indicator lights.

Pressing the top of the rocker turns lighting on to the scene last set. Each additional tap advances to the next scene and indicator light. A tap to the bottom of the rocker in any scene turns lighting off. Moving the dimming slider up brightens and down dims the lights being controlled in the current scene.

Multiple switches are easily added to a DALI loop for multi-group or multi-point control. Up to four controllers can control one group of lights. All controllers in a multi-point arrangement synchronize to the current scene. Four scenes are customized with Lumenergi's control system software or other DALI compatible control systems.

Group control functionality of the NetLight Switch allows for multiple groups on a single DALI loop maximizing flexibility and utilization of the DALI loop.

DALI Dimming Scene Controller

KEY FEATURES

- Set four scenes and off with manual dimming slider control
- Plug-and-play compatibility with NetLight Controller and NetLight Controller Max
- Single and multi-point operation

DEFAULT SCENES

These scenes are defaults with Lumenergi NetLight Controllers. Third party controllers may use these or other customized scenes.

1. Normal—Dimmable, daylight harvesting, task balanced
2. 50%—Dimmable, daylight harvesting
3. 25%—Dimmable, daylight harvesting
4. Full on—Dimmable

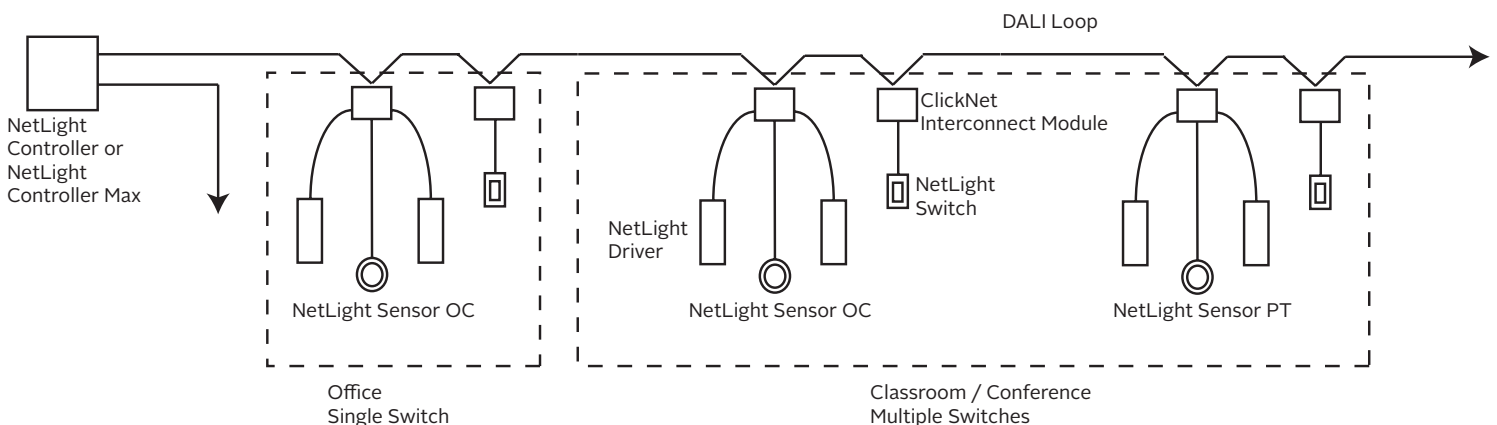
MODEL

SWTDL4S

CONTROLLER USAGE

- Provides individual or group control of DALI dimming drivers and ballasts
- Save energy with DALI dimming

NETLIGHT SWITCH SAMPLE CONNECTION DIAGRAM



Lumenergi, Inc.
8371 Central Ave, Unit B
Newark, California 94560

Phone (510) 744.1000
Fax (510) 574.7440

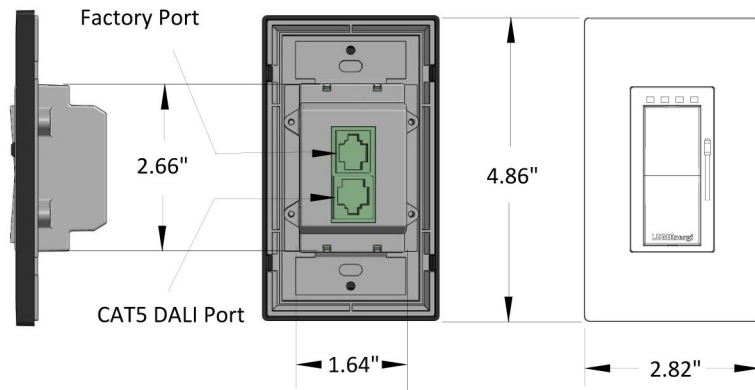
www.lumenergi.com
sales@lumenergi.com

PARAMETERS

Class II Low Voltage Device
CAT5 DALI Connector Port
Input Voltage: DALI only
Input Current (idle): <2mA DALI
Input Current (active*): 10mA DALI
Input Power (idle): 50mW max
Input Power (active): 230mW max
Operating Temperature Range: 0°C to 55°C
Storage Temperature Range: -10°C to +70°C
Relative Humidity: 20% to 90%
RoHS compliant

*Active state power only occurs during command entry.

DIMENSIONS



WARRANTY

Lumenergi's NetLight Switch is covered by a two-year materials and workmanship warranty. Please see Lumenergi's standard warranty.

Distributors interested in learning about Lumenergi products, please contact partners@lumenergi.com.

Job Name:

Job Number:

Represented By