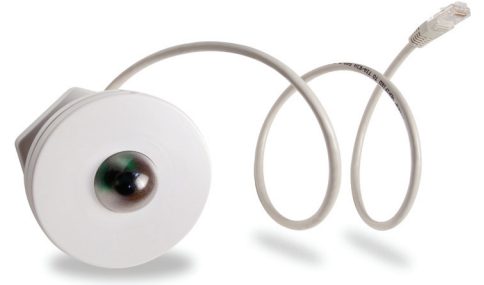


Active Analog Daylight Sensor

Part Number	
SNSPHAC	
Daylight Sensor Usage	
<ul style="list-style-type: none"> • Provide raw ambient light data to a lighting control system 	
Key Features	
<ul style="list-style-type: none"> • Plug-and-play compatibility with the Lumenergi NetLight Controller • Easy, error-resistant installation • Low profile, unobtrusive • Supports energy saving and cost reduction efforts by sending data about light levels to the lighting control system • 5 year warranty 	
Parameters	
Parameter	Value
Open circuit voltage	450 mV
Temp. coefficient	-2 mV/K
Sensitivity	9 nA/lx
Half-sensitivity angle	50 degrees
Peak wavelength	565 nm
Bandwidth	420-675 nm

The Lumenergi active analog daylight sensor provides an analog signal to the NetLight Controller, allowing the NetLight Controller to keep overall light levels constant as sunlight ebbs and flows. This saves energy, cuts costs, and avoids overlighting.



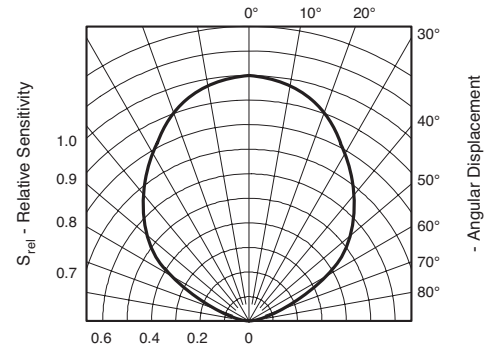
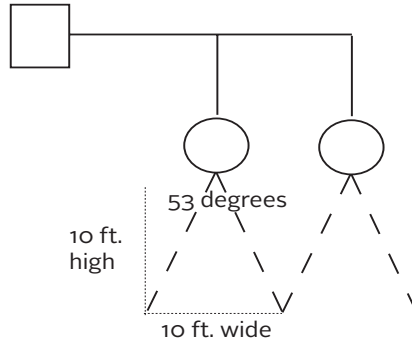
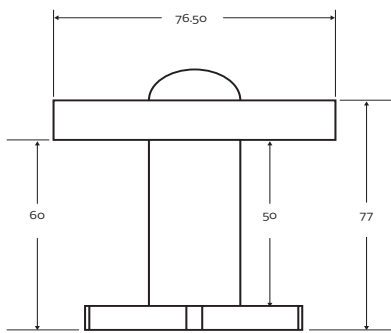
Daylight
NetLight™ | SENSOR

Installation is quick and error-resistant. Designed for standard drop ceilings, the photosensor consists of two pieces that thread together through the ceiling panel via a 1.125" hole. The sensor sends data over the DALI network, connecting via NetLight Driver or Netlight iB-100 with the NetLight ClickNet Interconnect Box.

Sensor Information

The daylight sensor is based on a Vishay BPW21R Silicon Photodiode and provides an analog output in the hundreds-of-milliVolts range. The sensor uses the DALI network and RJ-45 plugs, for faster installation than traditional "home run" wiring, fewer errors, and excellent long-term reliability.

When connected to the NetLight Controller, the daylight sensor can enable energy reduction of 30-40% via daylight harvesting, maintaining a constant light level at the work surface. For information on other lighting management systems, please contact Lumenergi.



Covers 8x8 ft area @ 8 ft. height, 10x10 ft space @ 10 ft. height, etc.

Warranty and Additional Product Information

Lumenergi's products are covered by a five-year materials and workmanship warranty. Please contact Lumenergi for details. Distributors interested in learning about Lumenergi products, please contact partners@lumenergi.com.

Represented by

Job Name:

Job Number:

Part Numbers

Lumenergi, Inc.

8371 Central Ave, Unit B
Newark, California 94560

Phone 510 894 8647
Fax 510 894 8640

www.lumenergi.com
sales@lumenergi.com